

ABA Industry, Inc.

Specification for Approval

Product Part Number

- TVP2304S03XX

Product Description

- UTP, 23AWG solid bare copper, CAT.6A, CMP
- With cross filler

Product Features

- High performance of transmission.
- High quality of safety property.
- Sweep frequency up to 660 MHz.

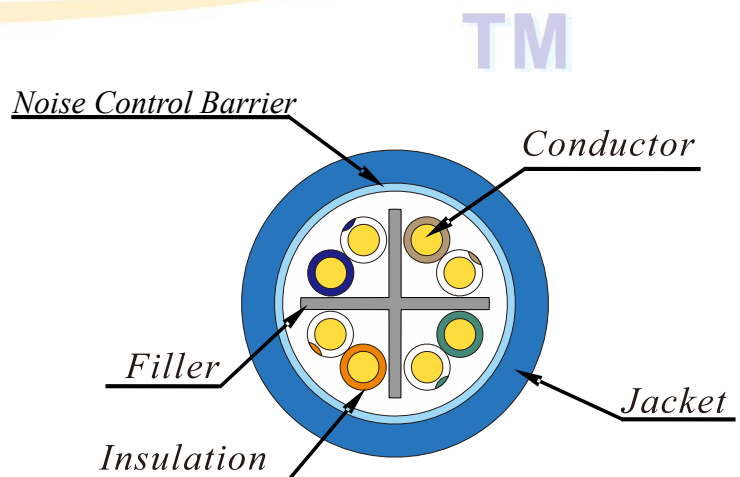
Application

- Structure cabling for horizontal and building backbone cable.
- Transmission of digital and analogue for data, video and audio applications.
- Overall metal shielded providing good protection from EMI noise.
- IEEE 802.3an 10GBASE-T and legacy speeds.
- CDDI / ATM / Token Ring
- IEEE 802.3af (PoE) / IEEE 802.3at (PoE+)

Applicable Standard

- Electrical Transmission
 - ANSI/TIA-568.2-D (2018)
 - ISO/IEC 11801-1
 - IEC 61156-5 (Edition 2.1)
- Flame Test
 - NFPA 262 (CMP)
- Material and Construction
 - UL 444
 - UL 444 LP-Rating 0.5A&0.6A
 - CSA 22.2 NO.214
- EU Directive 2011/65/EU (RoHS2)
- EU Directive 2006/95/EC (LVD)

Sectional Drawing



All Material According To SS-00259

Establish Date	2017.03.03	Edition	1.3	Revised Date	2020.10.15
----------------	------------	---------	-----	--------------	------------

ABA Industry, Inc.

Specification for Approval

Material and Construction

Conductor	Material	23AWG solid bare copper	
Insulation	Material	Fluorinated Ethylene Propylene (FEP)	
	Color code & diameter	Blue & white/blue Stripe	1.09 ± 0.02 mm
		Orange & white/orange stripe	1.02 ± 0.02 mm
		Green & white/green stripe	1.08 ± 0.02 mm
Brown & white/brown stripe		1.02 ± 0.02 mm	
Twisted	Description	Left hand direction	
Filler	Material	Fluorinated Ethylene Propylene (FEP)	
Assembly	Description	Left hand direction	
Barrier	Material	Noise Control Barrier	
Jacket	Material	Low smoke flame retardant polyvinyl chloride (LSFRPVC)	
	Diameter	6.7 ± 0.2 mm	
	Thickness	0.40 ± 0.05 mm	
	Color	Per customer's request	
Marking	ELITE 10GS CAT 6A --- E142890 UTP 4PR 23AWG 90°C CMP-LP(0.6A) C(UL)US --- ETL VERIFIED TO TIA-568, 2-D CAT 6A mmyy ¹ RoHS COMPLIANT XXXXFT Note 1: mmyy is date code.		

Usage & Environmental Condition

Temperature range	Storage & shipping	-20°C to 75°C
	Installation	0°C to 60°C
	Operation	-20°C to 75°C
Minimum bending radius	≥ 8 times of overall diameter	
Maximum pulling tension	≤ 110 N	

ABA Industry, Inc.

Specification for Approval

Physical & Electrical Characteristics (at 20°C)

Temperature rating	75°C
Spark test	2.5 KV DC
AC leakage current through overall jacket	≤ 10mA (1.5KV AC)
Cable cold bend	-20°C for 4 hr
Conductor DC resistance	≤ 9.38 Ω/100m
Resistance unbalance	≤ 4%
Dielectric strength	1.5 KV ac for 2 s
Insulation resistance	≥ 5000 MΩ · km
Mutual capacitance	≤ 5.6 nF/100m
Capacitance unbalance pair-to-ground	≤ 330 pF/100m
NVP	71%

Transmission Performance (at 20°C)

Frequency (MHz)	IL	NEXT	PS. NEXT	ACR	PS. ACR	ACRF	PS. ACRF	RL	Propagation Delay	Delay Skew
	Max. dB/100m	Min. dB/100m	Min. dB/100m	Min. dB/100m	Min. dB/100m	Min. dB/100m	Min. dB/100m	Min. dB/100m	Max. ns/100m	Max. ns/100m
1	2.08	74.30	72.30	72.22	70.22	67.80	64.80	20.00	570.00	45.00
4	3.80	65.27	63.27	61.47	59.47	55.76	52.76	23.01	552.00	
8	5.31	60.75	58.75	55.44	53.44	49.74	46.74	24.52	546.73	
10	5.93	59.30	57.30	53.37	51.37	47.80	44.80	25.00	545.38	
16	7.49	56.24	54.24	48.75	46.75	43.72	40.72	25.00	543.00	
20	8.38	54.78	52.78	46.41	44.41	41.78	38.78	25.00	542.05	
25	9.38	53.33	51.33	43.95	41.95	39.84	36.84	24.32	541.20	
31.25	10.50	51.88	49.88	41.37	39.37	37.90	34.90	23.64	540.44	
62.5	14.99	47.36	45.36	32.37	30.37	31.88	28.88	21.54	538.55	
100	19.14	44.30	42.30	25.17	23.17	27.80	24.80	20.11	537.60	
150	23.68	41.66	39.66	17.98	15.98	24.28	21.28	18.87	536.94	
200	27.58	39.78	37.78	12.21	10.21	21.78	18.78	18.00	536.55	
250	31.07	38.33	36.33	7.26	5.26	19.84	16.84	17.32	536.28	
300	34.27	37.14	35.14	2.88	0.88	18.26	15.26	16.77	536.08	
350	37.25	36.14	34.14	N.A.	N.A.	16.92	13.92	16.30	535.92	
400	40.05	35.27	33.27	N.A.	N.A.	15.76	12.76	15.89	535.80	
450	42.71	34.50	32.50	N.A.	N.A.	14.74	11.74	15.53	535.70	
500	45.26	33.82	31.82	N.A.	N.A.	13.82	10.82	15.21	535.61	
550	47.70	33.19	31.19	N.A.	N.A.	12.99	9.99	14.92	535.54	
600	50.05	32.63	30.63	N.A.	N.A.	12.24	9.24	14.66	535.47	
650	52.33	32.11	30.11	N.A.	N.A.	11.54	8.54	14.42	535.41	
660	52.77	32.01	30.01	N.A.	N.A.	11.41	8.41	14.37	535.40	

Values above 500MHz are for information only.

ABA Industry, Inc.

Specification for Approval

Shipping Information

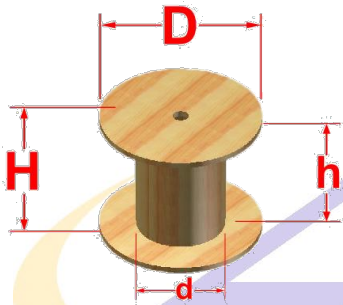
Item	Dimension	Nominal net weight
Cable	305 m	16.72 kg (36.86 lb)
Plywood reel	D380 x d220 x H324 x h300 mm	3.5 kg
Pallet	1150 x 1110 x 120 mm	14.1 kg

Container type	Capacity of pallet	Pallet of reel	Capacity of reel
20 feet	20	24/24	480
40 feet	28	24/24	672

Shipping could use standard delivery form or per customer's request.
 Package information above is calculated by maximum container capacity, and for reference only.
 All shipments must follow your local transportation regulation for gross weight limit.

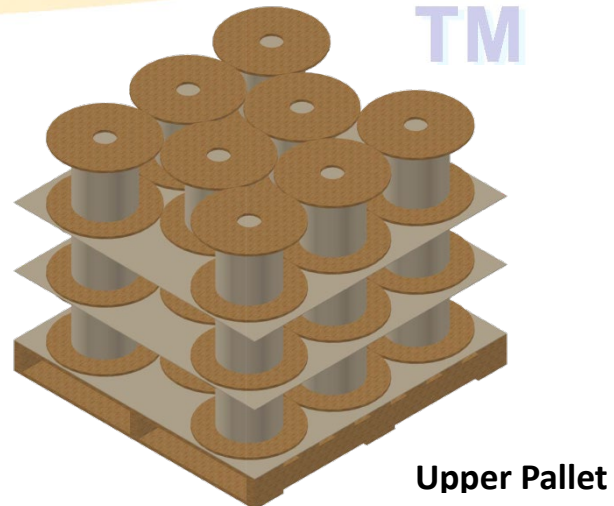
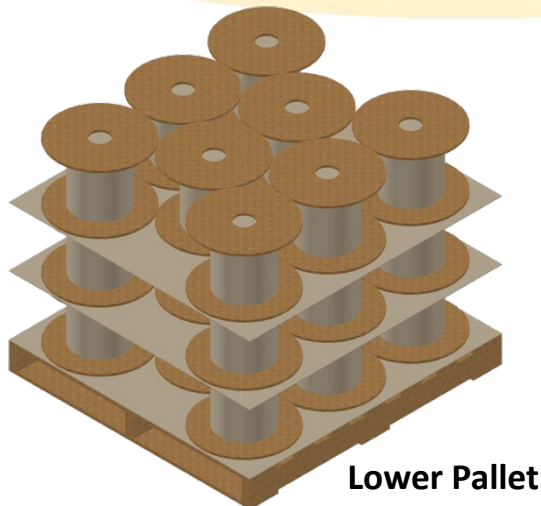
Schematic Drawing of Reel & Package

Fumigated plywood reel.



Schematic Drawing of Package

Each package of pallet delivered with plastic wrap and packing strap.



AK001 / 210×297 / 1.1

MAKER : Ancy Liao

CONFIRM : Peter Lai

APPROVAL : Steve Chang